

Instruction / Installation Sheet

DataComm Electronics 50-3321-WH-KIT Flat Panel TV Cable Organizer Remodeling Kit with Power Outlet



DataComm Electronics, Inc.
6349 Peachtree Street
Norcross, GA 30071-1725
888.223.7977
770.662.8205
www.datacommcableorganizer.com

Parts Included:

1. Recessed Cable Plate with Recessed Power Outlet
2. Single Gang Recessed Cable Plate
3. Old Work Electrical Box
4. Single Gang Low Voltage Mounting Bracket

Tools Needed:

1. Drywall saw
2. 6 Ft. tape measure
3. Pencil
4. Screwdriver

Use DataComm Electronics' Flat Panel TV Cable Organizer Remodeling Kit with Power Outlet to install power and hide unwanted audio/video (A/V) cables behind your flat panel TV (see Figures 1 & 2).

To Install Recessed Cable Plate with Power Outlet with a Flat Panel TV Bracket

Installation Instructions for New Construction:

1. Have a licensed electrician install a power outlet on the wall at the location of the flat panel TV.
2. Once power has been turned off to the circuit, remove the receptacle and wall plate installed by your electrician.
3. Align the left side of the template supplied below over the left side of the electrical workbox then trace the opening needed for recessed cable plate.
4. Connect the electrical wires to the back of the receptacle on the Recessed Cable Plate (RCP) with Recessed Power Outlet. Connect the hot line (black) wire to the brass colored terminal or screw and the neutral (white) wire to the silver colored terminal or screw. Be sure to connect the grounding (green) or bare grounding wire to the green colored terminal screw (see Figure 3).
5. For shock protection, this UR, UL recognized component receptacle must be properly grounded.
6. Caution – use copper wire only with this receptacle.

See Final Instructions for New & Retrofit Installation.

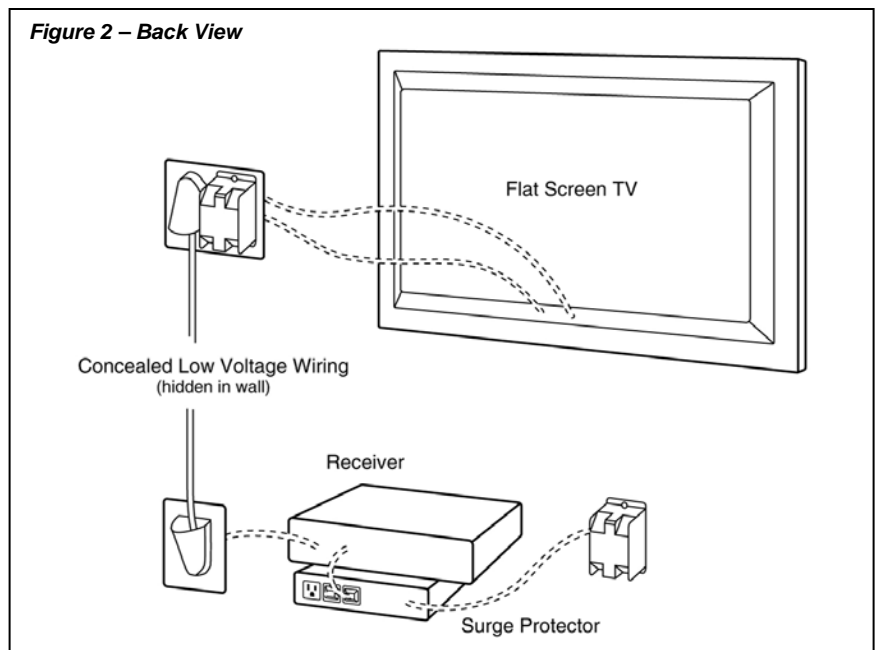
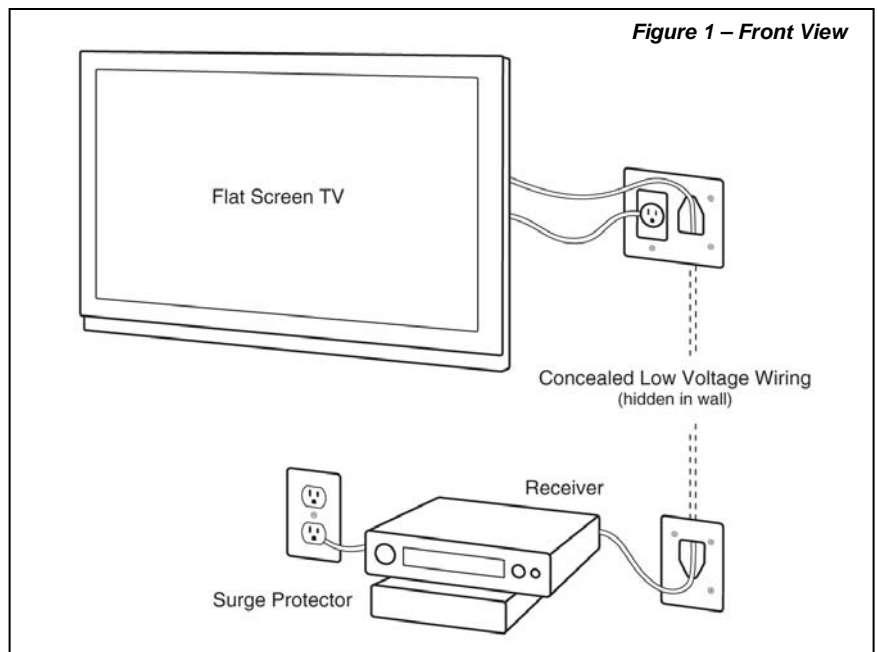
Installation Instructions for Retrofit Only:

1. Determine the location of your flat panel TV mounting bracket. Using the template supplied (see page 2), allow for location of the stud when tracing the opening needed.
2. Using a drywall knife, cut a hole in the drywall the size of the template.
3. Insert a single gang retrofit workbox (see Figure 2). Securely fasten the workbox to the wall.
4. Switch the appropriate circuit breaker OFF or remove fuse(s) before wiring. Run a source of power to this workbox. Connect hot line (black) wire to brass colored terminal or screw and neutral (white) wire to silver colored terminal or screw. Be sure to connect grounding (green) or bare grounding wire to green colored terminal screw (see Figure 3).
5. For shock protection, this UR, UL recognized component receptacle must be properly grounded.
6. Caution – use copper wire only with this receptacle.

See Final Instructions for New & Retrofit Installation.



50-3321-WH-KIT



Installation Instructions 50-3321-WH-KIT (continued):

Final Instructions for New & Retrofit Installation:

1. Once you have wired the receptacle, begin by inserting the receptacle portion of the plate into the electrical work box. When the entire RCP with Recessed Power Outlet is flush to the wall, using the two white screws supplied, screw the receptacle portion of the plate to the work box. Next, screw down the screws with wings. These wings will fasten tightly against the back of the drywall.
2. Now that the RCP with Recessed Power Outlet is installed, install the low voltage mounting bracket directly below the RCP with Recessed Power Outlet and parallel to the existing electrical outlets. Run the A/V cables through the recessed portion of the RCP with Recessed Power and fish the A/V cables through the wall and then pull the A/V wires through the opening in the low voltage mount bracket. Now pull the A/V wires through the recessed opening in the recessed cable plate. Insert the recessed cable plate into the installed low voltage mounting bracket and secure it to the wall with the included screws. Connect you're a/v cables to your equipment.
3. Remember to switch the appropriate circuit breaker ON.
4. Now install your flat panel TV mounting bracket per the flat panel TV bracket manufacturer's instructions.
5. Make sure to read all instructions.

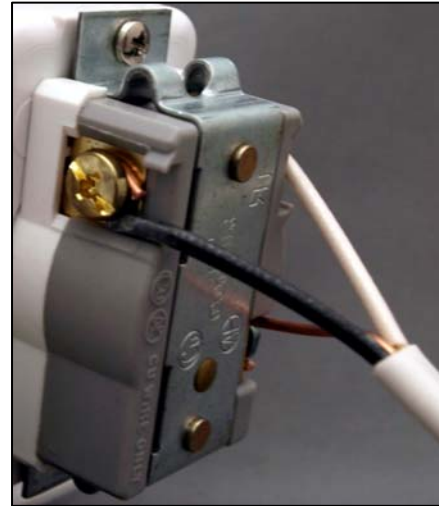


Figure 3

WARNING

- DataComm Electronics' products shall be installed and used only as indicated in DataComm Electronics' product instruction sheets.
- Instruction sheets are available online at www.datacommcableorganizer.com.

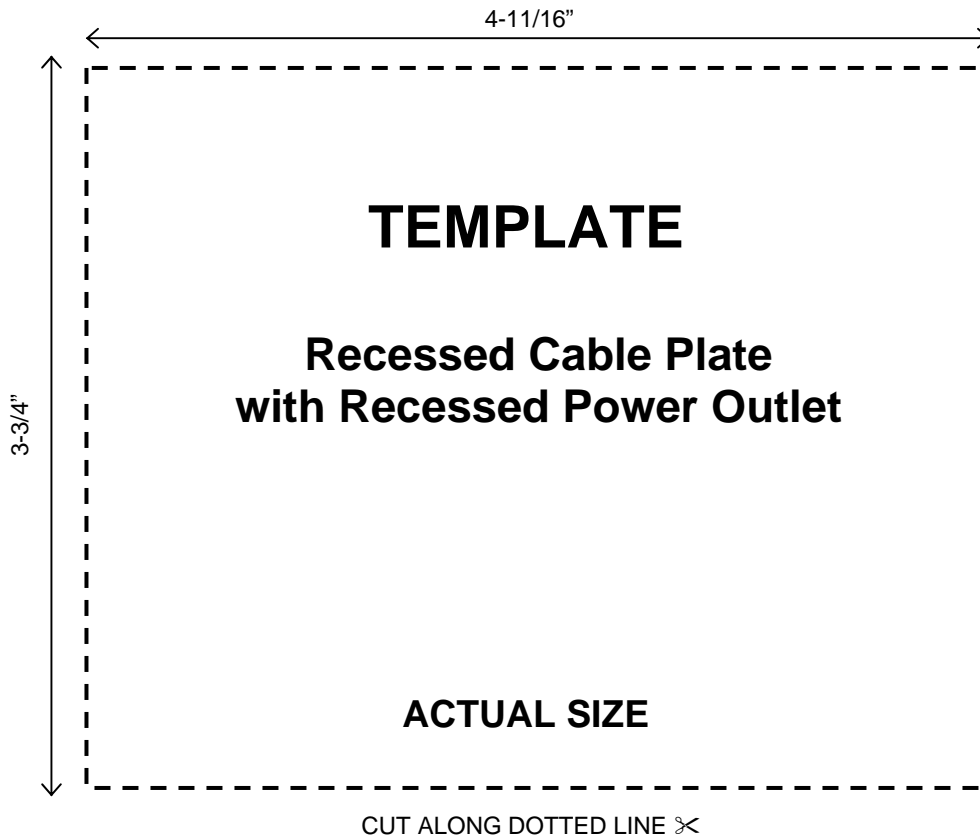
CAUTION

- For shock protection, this device must be properly grounded.
- Use copper wire only with this device.

IMPORTANT INSTRUCTIONS

- Read and understand all instructions.
- Follow all warning and instructions marked on the product.
- Do not use this product near water, for example near a bath tub, wash bowl, kitchen sink, or laundry tub, in a wet basement, or near a swimming pool.
- SAVE THESE INSTRUCTIONS.

ONLY LICENSED PROFESSIONALS SHOULD INSTALL THIS PRODUCT



This product is patent protected by U.S. Patent numbers D553475, D554475 and 7390964

Multiple patents pending

RoHS Compliant



Instruction / Installation Sheet DataComm Electronics Single Gang Recessed Cable Plate

Use DataComm Electronics' Single Gang Recessed Low Voltage Cable Plate to install low voltage cables behind your amplifier or other audio and video devices. This Recessed Low Voltage Cable Plate is designed for use with Low Voltage / Data cables "only" (see Figures 5 & 6).

The Single Gang Recessed Cable Plate is designed to be used with the enclosed single gang low voltage mounting bracket (see Figure 4). The recessed cable plate can be installed upright or upside down (see Figures 5 & 6 for upright installation).

Determine the location of your amplifier or audio/video device. Cut a hole in the wall and install the low voltage mounting plate bracket. Then simply pull your low voltage cables through the mounted low voltage mounting plate bracket and then through the DataComm Electronics recessed low voltage cable plate. Insert the DataComm Electronics recessed low voltage cable plate into your mounted low voltage mounting plate bracket and using the supplied wall plate screws, secure the wall plate tightly to the wall. Connect your A/V cables to your equipment.

This Recessed Cable Plate is Designed for Use with Low Voltage / Data Cables "ONLY"

CAUTION

- Never install low voltage wiring during lightning storms.
- Never install low voltage wiring in wet locations unless the wire is specifically designed for wet locations.
- Never touch un-insulated low voltage wires or terminals unless the wire has been disconnected at its source.
- Use caution when installing low voltage cables.

IMPORTANT INSTRUCTIONS

- Read and understand all instructions.
- Follow all warning and instructions marked on the product.
- Do not use this product near water, for example near a bath tub, wash bowl, kitchen sink, or laundry tub, in a wet basement, or near a swimming pool.
- SAVE THESE INSTRUCTIONS.

This product is patent protected by U.S. Patent numbers 553475, D554475 and 7390964

Multiple patents pending

RoHS Compliant



Figure 4

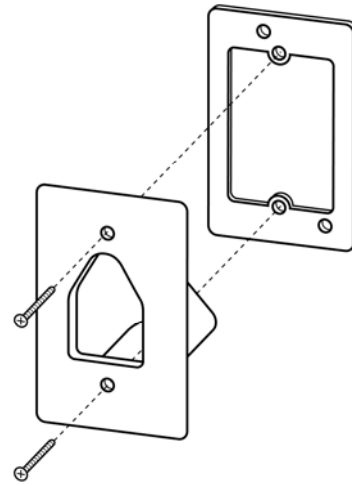


Figure 5 - Front View

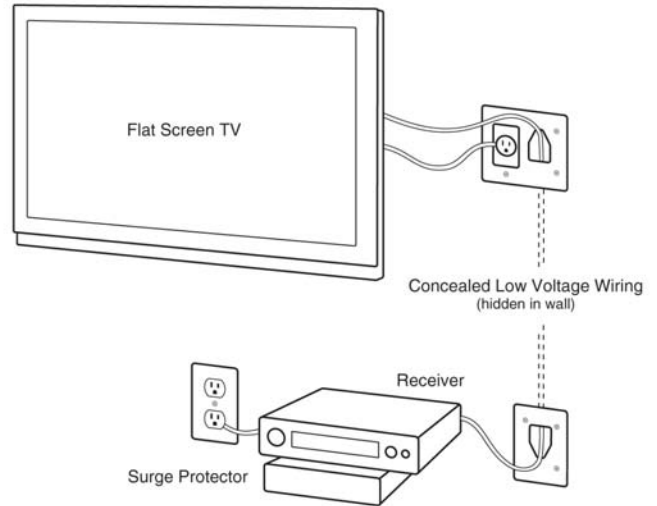


Figure 6 - Back View

